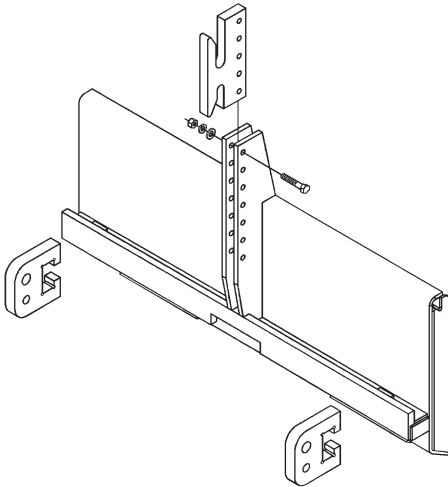


Adapter Plates



PALADIN LIGHT CONSTRUCTION

Universal Skid-Steer Mount to Category I or II 3-Point Hitch



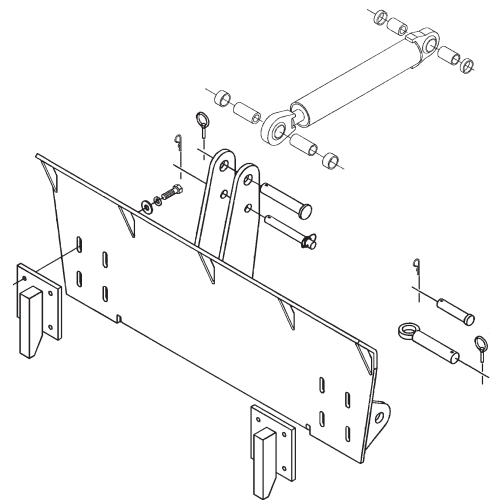
FEATURES:

- permits use of tractor 3-point implements such as landscape tools on skid-steer loaders
- built rugged to accommodate a wide variety of implements
- adjustable top hook and sliding lower blocks make implement attachment easy
- quickly attaches to skid-steer loader and pins on the 3-point implement

Category I or II 3-Point to Universal Skid-Steer Mount

FEATURES:

- permits use of skid-steer attachments such as pallet forks and landscape tools on 3-point tractors
- rugged design and positive locking wedges
- quickly pins to tractor 3-point and wedge attaches to your skid-steer attachments
- use with or without top link cylinder kit (shown)
- top link cylinder kit replaces the tractor top link for hydraulically positioning attachments



Universal Skid-Steer Weld-On Adapter

FEATURES:

- permits use of non-universal attachments on skid-steer loaders with universal hitch
- built rugged to accommodate a wide variety of implements
- multiple latching slots permit use on a wide range of skid-steer loaders
- elliptical holes in plate provide additional welding to implement
- reinforcing bars welded behind engagement slots add strength & provide additional wear surface at wedge contact points
- constructed from .25" thick A36 plate with overall dimensions of 49½" wide & 16¾" high

