

Buckets

For skid-steer loaders



FEATURES:

- Available styles:
 - low profile standard floor
 - low profile long floor
 - heavy duty, high capacity
 - high capacity, light material/snow bucket
- Various sizes & edge hole patterns for common bolt-on wear edges available to assist in your jobs requirements
- High strength steel construction
- Standard tooth bars and tooth bars that fit over bolt-on wear edges available
- Tooth or smooth edge and bolt-on edges with series 23 H&L teeth available
- 2 year limited warranty



Low Profile-Long Floor Dirt Bucket



Light Material/Snow Bucket



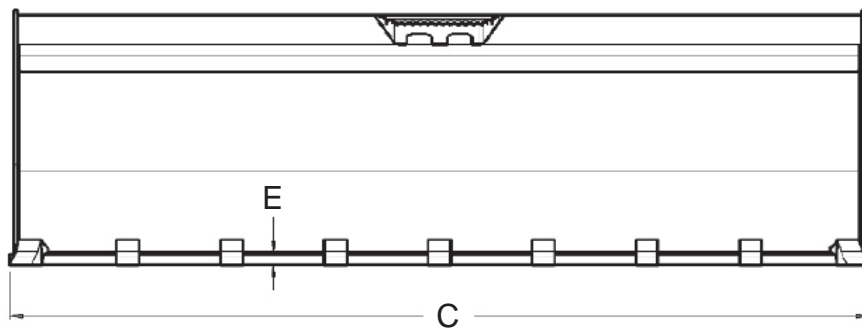
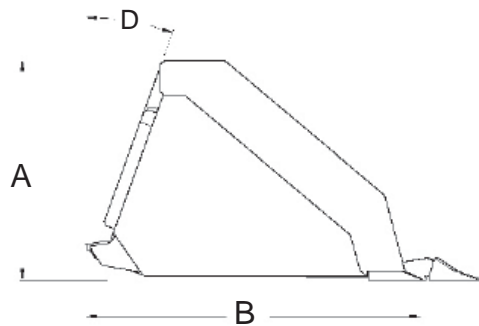
Long Floor Dirt Bucket



Standard Dirt Bucket

High Capacity Buckets

Specifications	80"	84"
A. Height (overall)	25"	25"
B. Depth (overall)	38"	38"
C. Width (overall)	80"	84"
D. Rollback Angle	20°	20°
E. Cutter Edge Thickness	1"	1"
Heaped Capacity	25 ³ ft	27 ³ ft



Specifications and design are subject to change without notice and without liability, therefore, whenever applicable specifications are in accordance with SAE standards.

FEATURES:

- 80" & 84" with 1" cutting edge and back drag plating for strength and protection from wear
- Strong box sections across the top, heel, and front edge
- High tensile side plates to support greater break out force
- Used for nursery applications, snow removal, & construction
- All bucket sizes available with H&L 23 series weld-on shanks and side pin teeth
- 2 year limited warranty

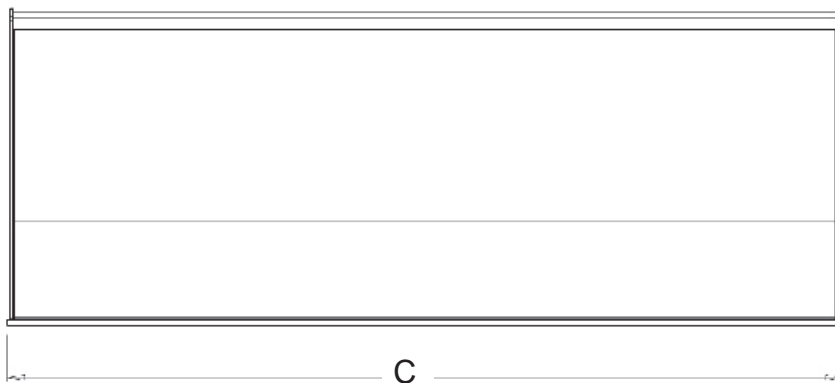
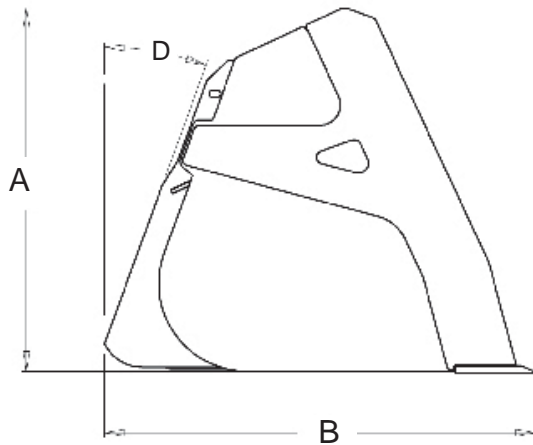
PH: 800-922-2981
 FX: (563) 922-2700
 P.O. Box 266
 Delhi, IA 52223-0266
 United States of America
www.paladinbrands.com



PALADIN LIGHT CONSTRUCTION

High Capacity Light Material Buckets

Specifications	84"	96"
A. Height (overall)	35"	35"
B. Depth (overall)	41"	41"
C. Width (overall)	84"	96"
D. Rollback Angle	20°	20°
Cutter Edge Thickness	3/4"	3/4"
Heaped Capacity	1 5/8 yd	2 yd



Specifications and design are subject to change without notice and without liability, therefore, whenever applicable specifications are in accordance with SAE standards.

FEATURES:

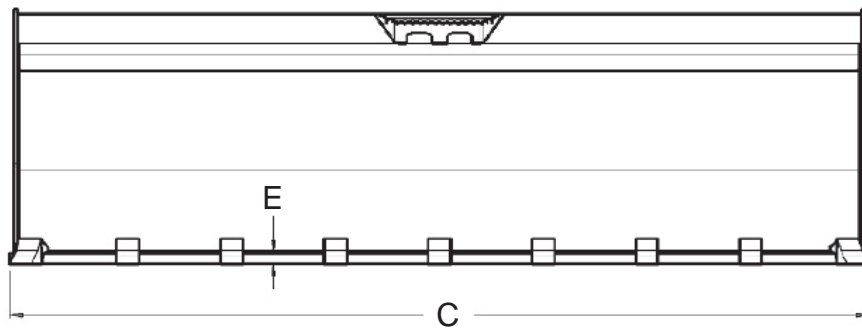
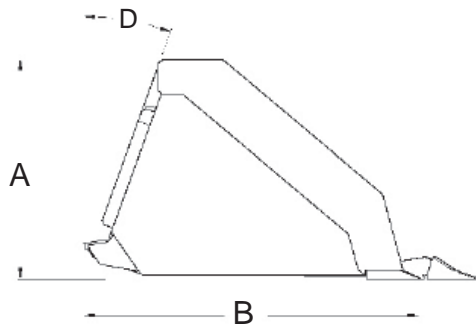
- 3/4" x 6" high carbon, beveled cutting edge
- Optional bolt-on wear edge
- Rolled inside surface for easier material clean out
- Fully integrated torque box design coupled with high tensile steel side profile cutter edges provide more load handling capacity
- Wear plating across bottom to prevent damage on bucket floor
- Forward swept top wrap to better contain wet or loose materials
- Heavy gage bucket wrap material
- 2 year limited warranty

PH: 800-922-2981
 FX: (563) 922-2700
 P.O. Box 266
 Delhi, IA 52223-0266
 United States of America
www.paladinbrands.com



Low Profile Dirt Buckets

Specifications	60"	63"	66"	72"	78"	82"	84"
A. Height (overall)	20"	20"	20"	20"	20"	20"	20"
B. Depth (overall)	32"	32"	32"	32"	32"	32"	32"
C. Width (overall)	60"	63"	66"	72"	78"	82"	84"
D. Rollback Angle	20°	20°	20°	20°	20°	20°	20°
E. Cutter Edge Thickness	¾"	¾"	¾"	¾"	1"	1"	1"
Heaped Capacity Standard Floor	12 ³ ft	13 ³ ft	14 ³ ft	15 ³ ft	16 ³ ft	17 ³ ft	18 ³ ft
Heaped Capacity Long Floor	16 ³ ft	17 ³ ft	18 ³ ft	20 ³ ft	21 ³ ft	22 ³ ft	23 ³ ft



Specifications and design are subject to change without notice and without liability, therefore, whenever applicable specifications are in accordance with SAE standards.

FEATURES:

- 30" standard floor buckets for more severe conditions when break out force is required
- 36" long floor buckets for better visibility, productivity, & cutting grade
- Heavy edges
1" for 78" width and above
¾" for less than 78"
- Strong box sections and full wear strips for better bottom protection
- High tensile side cutters tie into the front edge for better support
- All bucket sizes available with H&L 23 series weld-on shanks and side pin teeth
- 2 year limited warranty

PH: 800-922-2981
 FX: (563) 922-2700
 P.O. Box 266
 Delhi, IA 52223-0266
 United States of America
www.paladinbrands.com

B-Bucket Broc 0611-3



PALADIN LIGHT CONSTRUCTION