

# Cold Planer

Standard Flow and High Flow models available for skid-steer loaders



PALADIN LIGHT CONSTRUCTION

## FEATURES:

- Independent self-leveling depth adjustment plates allows for precise lapping cuts and taper cuts
- Planetary drive delivers high torque
- High rear spoil clearance to prevent recirculation of material
- Protective shields for hydraulic & electrical components
- Solid hardened steel wheels with greasable manifold pins and secluded greased zerks
- Exclusive angled spoil guard wheel design prevents wheels from riding up and over millings, this feature provides more force to the cutting action by significantly reducing rolling resistance and allow for maintained control over depth of cut
- 1 year limited warranty

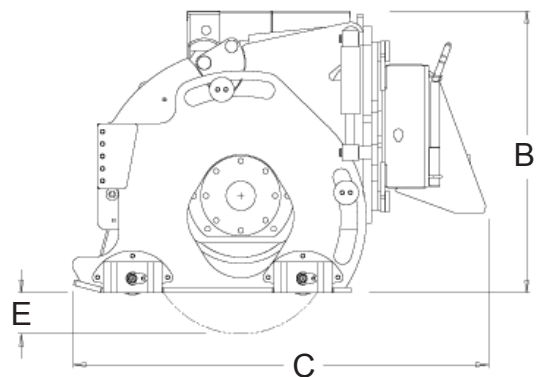
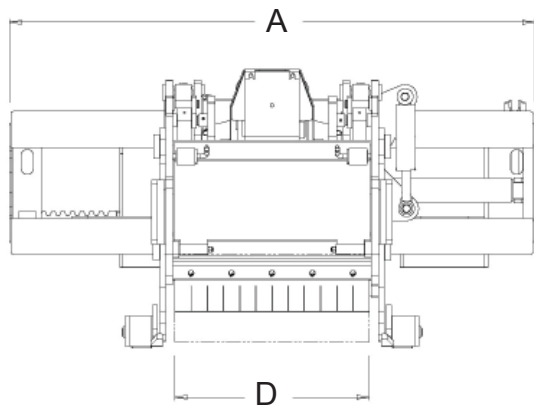


# Cold Planer

## FEATURES:

- Fully adjustable with electro-hydraulic controls
- Manual depth and tilt option available on standard flow Cold Planer ONLY
- Convenient for milling frost heaves, expansion joints, railroad approaches, etc.
- Water nozzle kit standard with integral water nozzle ports
- Optional in-cab control harness for most skid-steer loader models
- Pick maintenance tool included and stowed with the Cold Planer
- Convenient ergonomic electro-hydraulic control joystick for depth, tilt and side shift standard
- Independent self-leveling depth adjustment plates which allow for precise lapping cuts and taper cuts
- Replaceable steel bushings at pivot locations
- Efficient piston drive motor

Specifications	SP300	HP400	HP450	HP600	HP750	HP1000
Hydraulic Requirements (flow)	standard	high	high	high	high	high
Hydraulic Flow Range (gpm)	12 to 22	22 to 40	22 to 40	22 to 40	22 to 40	22 to 40
A. Width (overall)	51.94"	64.94"	64.94"	64.94"	64.94"	64.94"
B. Height (overall)	32.15"	34.57"	34.57"	34.57"	34.57"	34.57"
C. Length (overall)	43.86"	50.30"	50.30"	50.30"	50.30"	50.30"
D. Planing Width	12.00"	16.00"	18.00"	24.00"	30.00"	40.00"
E. Planing Depth	0" - 5"	0" - 5"	0" - 5"	0" - 5"	0" - 5"	0" - 5"
Tilt	±11°	±8°	±8°	±8°	±8°	±8°
Drum Diameter	19.00"	22.00"	22.00"	22.00"	22.00"	22.00"
Number of Carbide Picks	37	43	45	57	69	89
Weight (lbs)	1500	2150	2200	2400	2600	3100
Sideshift (center to right)	0" to 19"	-3" to 22"	-3" to 22"	-3" to 22"	-3" to 22"	-3" to 22"
Operating Pressure (psi)	2500 to 3000	2500 to 3000	2500 to 3000	2500 to 3000	2500 to 3000	2500 to 3000



Specifications and design are subject to change without notice and without liability, therefore, whenever applicable specifications are in accordance with SAE standards.

PH: 800-922-2981  
 FX: (563) 922-2700  
 P.O. Box 266  
 Delhi, IA 52223-0266  
 United States of America  
[www.paladinbrands.com](http://www.paladinbrands.com)



PALADIN LIGHT CONSTRUCTION