

# 330 Trencher

For PTO hydrostatic tractors.

 BRADCO

 FFC

 HARLEY

 THE MAJOR

 McMILLEN

 SWEEPSTER

PALADIN LIGHT CONSTRUCTION

# JUST RELEASED!

## FEATURES:

- Category 1ASAE S217.12 standard, 3-point mount for 15-30 PTO HP hydrostatic tractors
- Maintenance free PTO shaft drive with automatic slip clutch for overload protection
- 14" discharge auger
- 30" & 36" digging depth available to fit most applications
- 38,000 lb 1.654" anti back flex chain for tooth pattern versatility to support many soil types and conditions
- Compatible with model 615 chains
- ASAE S278.6 standard quick attach compatible
- Support stand is a standard feature
- 2 year limited warranty



# 330 Trencher

## FEATURES

- Rear hydraulics required
- Light/medium duty boom & crumber with replaceable wear strips
- Ease of instillation and operation

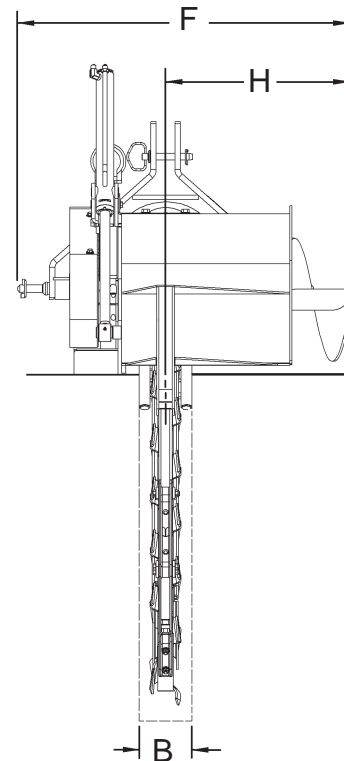
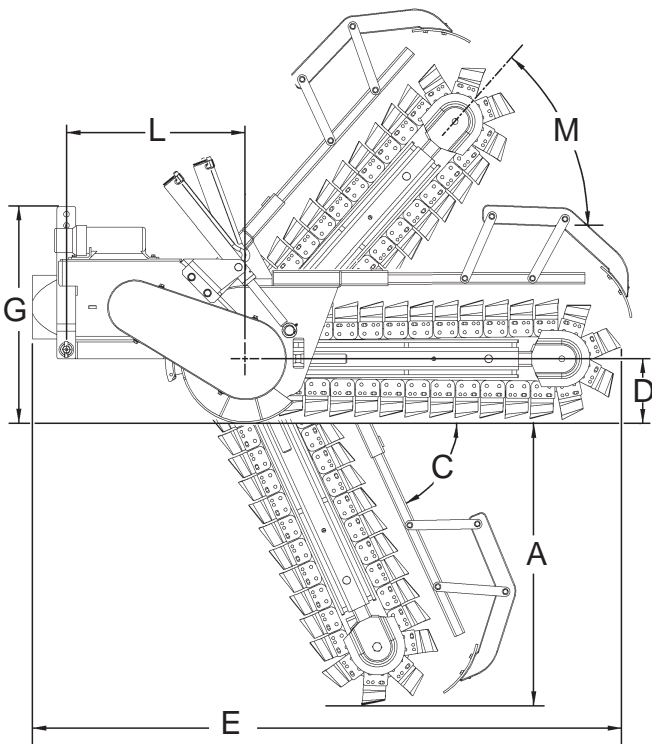
## Specifications

### Transport

A. Trench Depth with Auger at 65° Digging Angle	30"	36"
B. Chain Width	3.0"	3.0"
	4.5"	4.5"
	6.0"	6.0"
	8.0"	8.0"
C. Recommended Trenching Angle	65°	65°
D. Headshaft Height (Auger Touching Ground)	8.5"	8.5"
E. Overall Length	73"	79"
F. Overall Width	38"	38"
G. Overall Height	29"	29"
H. Spoil Discharge Reach	21"	21"
L. Length from 3-Point to Headshaft (center of gravity)	24"	24"
M. Transport Angle	48°	48°
Weight with 6" x 36" chain, boom & crumber	650 lbs	

### Hydraulic System

Operating Hydraulic Pressure	2000 to 25000 PSI
Rear PTO RPM Rating	540 RPM
Rear PTO HP Rating	15 to 30 HP



Specifications and design are subject to change without notice and without liability, therefore, whenever applicable specifications are in accordance with SAE standards.

PH: (800) 922-2981  
 FX: (563) 922-2700  
 P.O. Box 266  
 Delhi, IA 52223-0266  
 United States of America  
[www.paladinbrands.com](http://www.paladinbrands.com)



PALADIN LIGHT CONSTRUCTION