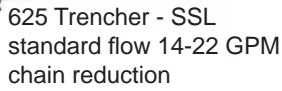


Trenchers

For Compact Skid-Steer loaders, Skid-Steer Loaders & 3-Point Tractors

FEATURES:

- Mount to skid-steer loaders, compact skid-steer loaders, & 3 point PTO HP hydrostatic tractors
- Heavy duty crumber & safety bar
- Standard flow & high flow options available
- Several boom lengths available to match your job's specifications
- Choose from various chain & teeth assemblies
- 2 year limited warranty



612 Trencher

615 Trencher

615F Trencher

625 Trencher

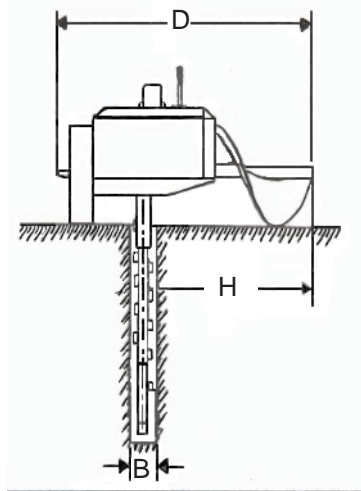
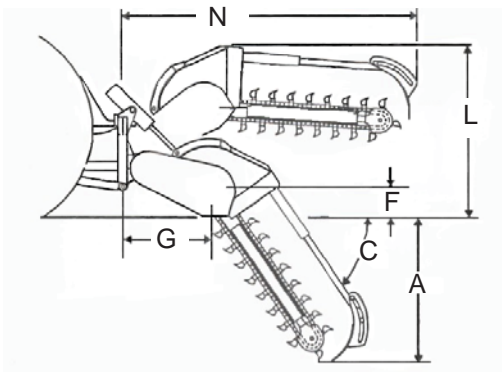
640 Trencher

612 Trencher

Specifications

3-Point Mounting	Category I
A. Trench Depth	30", 36", 48", 60"
B. Trench Width	6", 8", 10", 12"
C. Trenching Angle	65°
D. Auger Diameter	24"
E. Width	43"
F. Headshaft Height (auger at grade)	12"
G. 3-point Length to Headshaft	24"
H. Spoil Discharge Reach	29"
L. Transport Height	varies
M. Center of Trencher to End of Auger	27"
N. Trencher Length with 4' boom	96"
Maximum Trenching Depths Based on Trench Width	
6" wide	60" deep
8" wide	48" deep
10" wide	36" deep
12" wide	30" deep
Digging Chain Specifications	
Double standard, anti-back flex	50,000 lbs.
Standard chain pitch	2"

*Requires hydraulic power outlets at rear of tractor or valve kit required



Specifications and design are subject to change without notice and without liability, therefore, whenever applicable specifications are in accordance with SAE standards.

FEATURES:

- Category I, 3-point mount for 20-45 PTO HP hydrostatic tractors
- PTO shaft-drive with heavy duty slip clutch for overload protection
- Gearbox drive with chain reduction to the headshaft giving productive digging chain speed
- 24" discharge auger, places dirt well away from the trench
- Several tooth options available
 - cup
 - shark
 - rock & frost
- 50,000 lb 2" anti back flex chain
- 2 year limited warranty

PH: (800) 922-2981
FX: (563) 922-2700

P.O. Box 266
Delhi, IA 52223-0266
United States of America

www.paladinbrands.com

B-TRENCHER 0611-2



615 & 615F Trenchers

Specifications	Boom Size		
	24"	30"	36"
615 Trencher			
A. Trench Depth, Model 615 with Auger at 65° Digging Angle	24"	30"	36"
B. Chain widths (615)	6"	6"	4.5"
	8"	8"	6"
	10"	10"	8"
	12"	NA	NA
C. Trenching angle	65°	65°	65°
D. Headshaft height (615)	10"	10"	10"
E. Length (overall) (615)	51"	58"	65"
F. Width (overall) (615)	42"	42"	42"
G. Height (overall) (615)	28"	28"	28"
H. Spoil Discharge Reach (615)	24"	24"	24"
615F Footing Trencher			
A. Trench Depth, Model 615F with Auger at 65° Digging Angle	24"	30"	NA
B. Chain Widths (615F)	6"	6"	NA
	8"	8"	NA
	10"	10"	NA
	12"	NA	NA
C. Trenching Angle	65°	65°	65°
D. Headshaft Height (615F)	17"	17"	NA
E. Length (overall) (615F)	65"	72"	NA
F. Width (overall) (615F)	26"	26"	NA
G. Height (overall) (615F)	29"	29"	NA
H. Spoil Discharge Reach (615F)	18"	18"	NA
Hydraulic System			
GPM Requirements	6 to 10 or 10 to 16 GPM		
Operating Pressure	2000 to 3000 PSI		

FEATURES:

- 24", 30", & 36" digging depth available to fit most applications
- 2 motor options to match the flow of many skid-steer loaders
- Fixed length booms available featuring spring-loaded, self adjusting idler with full rock guards
- Heavy-duty boom & crumpler
- 50,000 lb 1.65" anti back flex chain for tooth pattern versatility to support many soil types and conditions
- 615F footing trencher offset allows cut outside skid-steer tread up to 72" width
- Allows tight fit with single side spoil augering
- Replaces dedicated machines at a fraction of the cost
- 615F with offset auger and side shielding allows for trenching nest to footing form boards
- 2 year limited warranty

PH: (800) 922-2981
FX: (563) 922-2700

P.O. Box 266
Delhi, IA 52223-0266
United States of America

www.paladinbrands.com

B-TRENCHER 0611-3



625 Trencher

Specifications	Boom Size			
	30"	36"	42"	48"
A. Trench Depth				
With Auger at 65° Digging Angle	30"	36"	42"	48"
B. Chain Widths	6"	6"	6"	6"
	8"	8"	8"	8"
	10"	10"	10"	NA
	12"	NA	NA	NA
C. Recommended Trenching Angle	65°	65°	65°	65°
D. Headshaft Height	8"	8"	8"	8"
E. Length (overall)	66"	73"	79"	86"
F. Width (overall)	53"	53"	53"	53"
G. Height (overall)	32"	32"	32"	32"
H. Spoil Discharge Reach	18"	18"	18"	18"
S. Side Shift, Right of Center	17"	17"	17"	17"
Hydraulic System				
GPM Requirements	min 14 / max 22			
Operating Pressure	2000 - 3000 PSI			

Specifications and design are subject to change without notice and without liability, therefore, whenever applicable specifications are in accordance with SAE standards.

FEATURES:

- 30", 36, 42" & 48" digging depth available to fit most applications
- Fixed length booms available featuring spring-loaded, self adjusting idler with full rock guards
- Heavy-duty boom & crumber with replaceable wear strips
- Allows tight fit with single side spoil augering
- Replaces dedicated machines at a fraction of the cost
- Several tooth options available
 - cup
 - shark
 - rock & frost
- 50,000 lb 2" anti back flex chain for tooth pattern versatility to support many soil types and conditions
- Two position manual side shift mounting with optional infinite position using hydraulic side shift cylinder assembly
- 2 year limited warranty

PH: (800) 922-2981
 FX: (563) 922-2700

P.O. Box 266
 Delhi, IA 52223-0266
 United States of America

www.paladinbrands.com

B-TRENCHER 0611-3

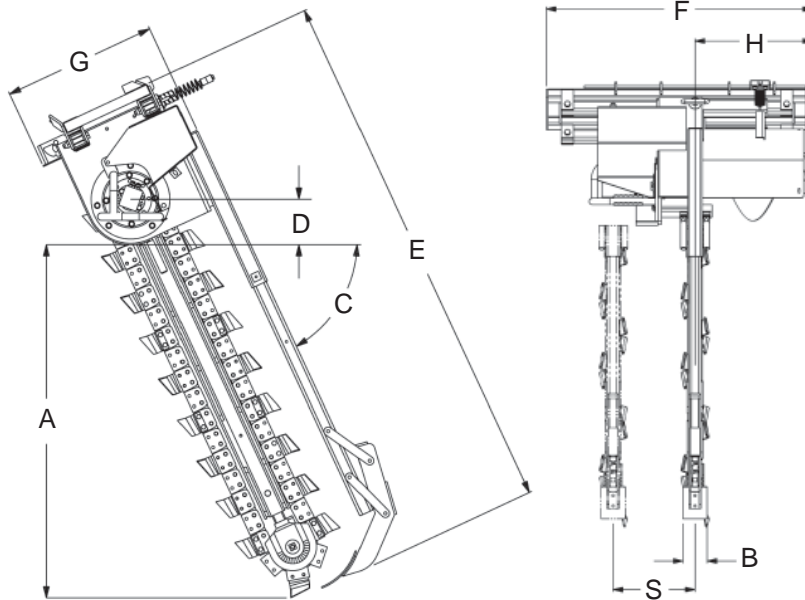


640 Trencher

Specifications	Boom Size				
	30"	36"	42"	48"	60"
A. Trench Depth					
With Auger at 65° Digging Angle	30"	36"	42"	48"	60"
B. Chain Widths					
	6"	6"	6"	6"	6"
	8"	8"	8"	8"	NA
	10"	10"	10"	NA	NA
	12"	12"	NA	NA	NA
C. Recommended Trenching Angle	65°	65°	65°	65°	65°
D. Headshaft Height	8"	8"	8"	8"	8"
E. Length (overall)	66"	73"	79"	86"	94"
F. Width (overall)	53"	53"	53"	53"	55"
G. Height (overall)	32"	32"	32"	32"	57"
H. Spoil Discharge Reach	18"	18"	18"	18"	24"
S. Side Shift, Right of Center	17"	17"	17"	17"	17"

Hydraulic System

GPM Requirements (standard flow)	14 to 24
GPM Requirements (high flow)	25 to 44
Operating Pressure	2000 to 3300 PSI



Specifications and design are subject to change without notice and without liability, therefore, whenever applicable specifications are in accordance with SAE standards.

FEATURES:

- 30", 36", 42", & 48" digging depth available to fit most applications
*60" high flow only
- 5 motor options to match the flow of many skid-steer loaders
- Mechanical side shift with hydraulic option
- Fixed length booms available featuring spring-loaded, self adjusting idler with full rock guards
- Heavy-duty boom & crumpler
- Allows tight fit with single side spoil augering
- Replaces dedicated machines at a fraction of the cost
- Several tooth options available
 - cup
 - shark
 - rock & frost
- 50,000 lb 2" anti back flex chain for tooth pattern versatility to support many soil types and conditions
- Two position manual side shift mounting with optional infinite position using hydraulic side shift cylinder assembly
- 2 year limited warranty

PH: (800) 922-2981
FX: (563) 922-2700

P.O. Box 266
Delhi, IA 52223-0266
United States of America

www.paladinbrands.com

B-TRENCHER 0611-3



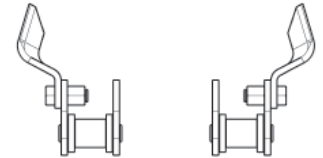
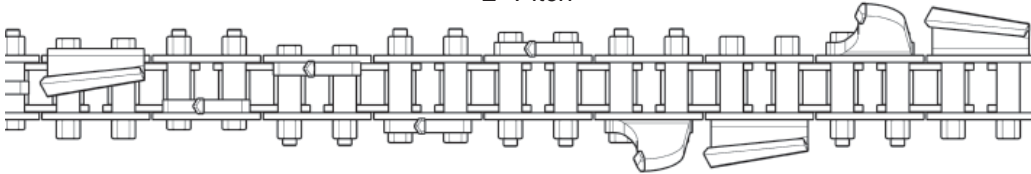
PALADIN LIGHT CONSTRUCTION

Chain Options

Trencher Chain & Teeth Assemblies

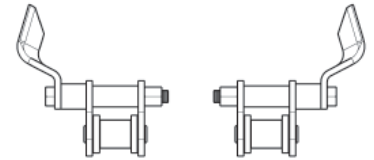
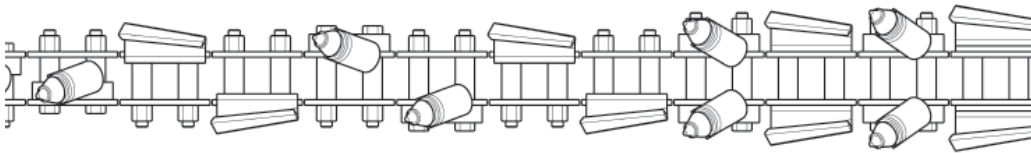
Chain Widths

70/30 Combination Chain (aggressive shark style/cup teeth)
2" Pitch



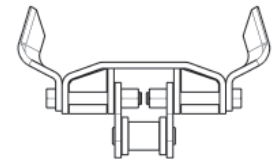
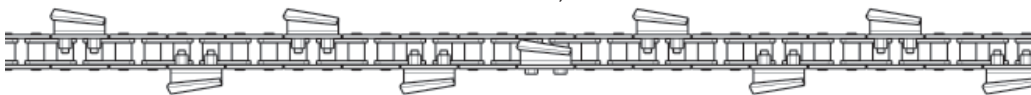
6" wide chain

50/50 Rock & Frost Chain
2" Pitch



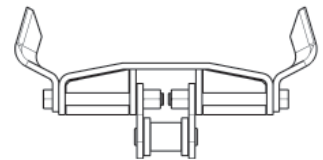
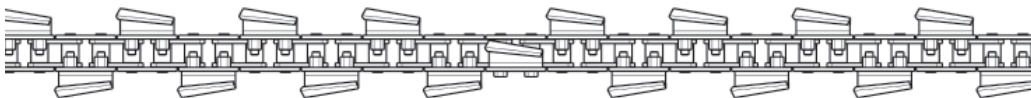
8" wide chain

Tooth Every Other Station (TEOS)
2" Pitch 50,000#



10" wide chain

Tooth Every Station (TES)
2" Pitch 50,000#



12" wide chain

Specifications and design are subject to change without notice and without liability, therefore, whenever applicable specifications are in accordance with SAE standards.

PH: (800) 922-2981
FX: (563) 922-2700

P.O. Box 266
Delhi, IA 52223-0266
United States of America

www.paladinbrands.com

B-TRENCHER 0611-3



PALADIN LIGHT CONSTRUCTION