

# Vibratory Plow

For compact mini loaders



PALADIN LIGHT CONSTRUCTION

## FEATURES

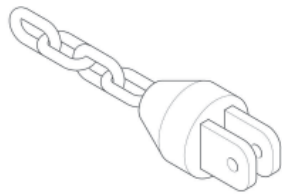
- Hydraulic motor includes high-pressure seal and internal valve for extended motor life and performance
- Two motor size options for maximum performance from almost any loader
- Low-maintenance exciter unit generates up to 5,000 force
- 2 year limited warranty



# Vibratory Plow

## FEATURES:

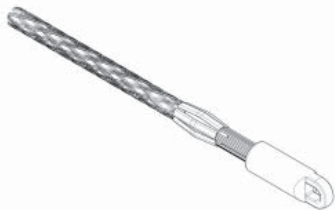
- Standard removable pressure foot with ball bearing coultter wheel slices through sod & minimizes ground disturbance
- Hard surfaced T-1 steel blades available in several sizes allowing cable or pipe to be buried up to 18" deep
- Optional hydraulic steering assembly enables full tractive effort and a tighter radius during turning
- Several available mounts, including 3-point hitch adapter, are easily changed to accommodate different loader hitches
- Available accessories facilitate a variety of jobs:
  - Frame mounted cable reel
  - Threaded, chain mounted pipe puller
  - 2" chain mounted pull bullet
  - Pull baskets for 3/4" to 1½" pipe bullet or cable basket



Pull Bullet



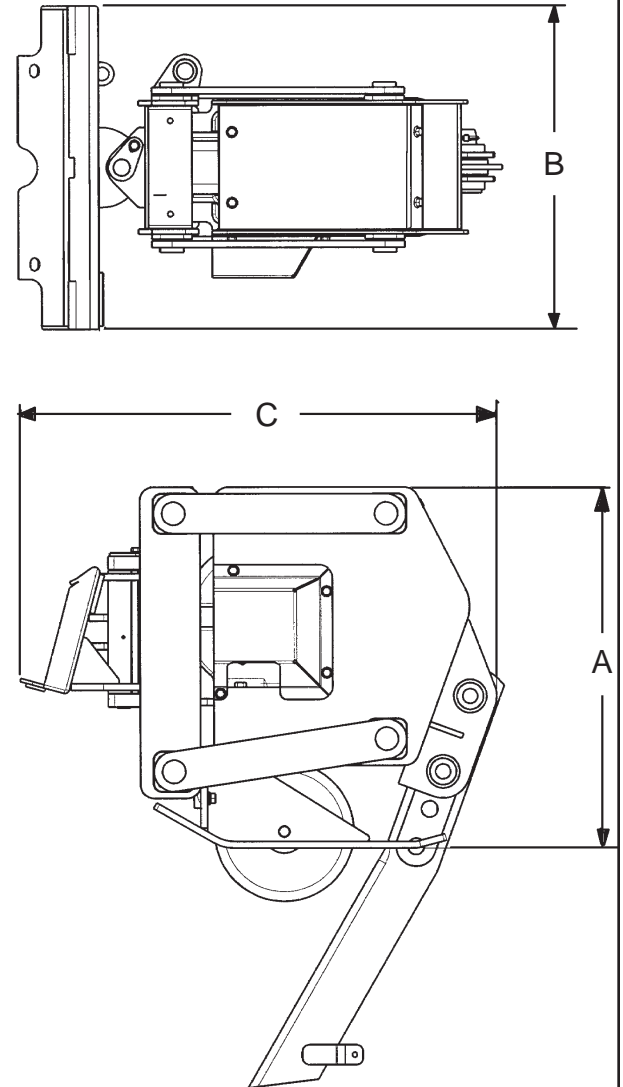
Pipe Bullet



Cable Basket

## Specifications

A. Height (overall)	27.1"
B. Width (depending upon mount)	24.5"
C. Length (overall)	35.8"
Flow Requirements (gpm)	8 to 14
Operating Pressure (psi)	1500 to 2500
Weight (lbs)	562



Specifications and design are subject to change without notice and without liability, therefore, whenever applicable specifications are in accordance with SAE standards.

PH: 800-922-2981  
 FX: (563) 922-2700  
 P.O. Box 266  
 Delhi, IA 52223-0266  
 United States of America  
[www.paladinbrands.com](http://www.paladinbrands.com)



PALADIN LIGHT CONSTRUCTION