



Concrete Chuter

DELIVERS CONCRETE WHEN AND WHERE YOU NEED IT.

Discover why the FFC Concrete Chuter gives you **More Control**

- Carries and places concrete with a skid-steer loader - where cement trucks can't go
- Quick and clean. Accurate placement of concrete with no mess
- Ideal for pouring deck footings and formed columns or walls

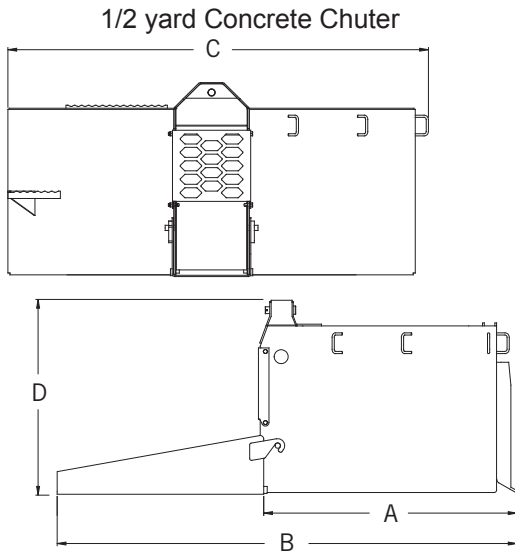


Never wheelbarrow or pump
Concrete **Again!**

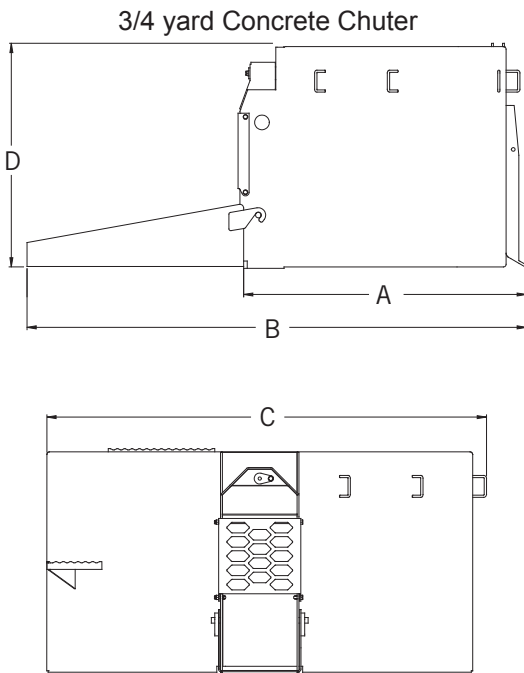


PALADIN LIGHT CONSTRUCTION

Concrete Chuter



Concrete Chuter Specifications	1/2 yard	3/4 yard
Weight (lbs)	426	461
A. Length (overall)	36"	38.5"
B. Length with Extension	65.5"	68"
C. Width	60"	60"
D. Height	28"	30"
Lift Capacity Requirement (lbs)	700	3200
Hydraulic Requirements	2 Way Aux	2 Way Aux



Ruggedly build dispensing door with a tight-fitting seal for accurate multiple placements (shown without shields).

Patented safety door is completely inaccessible to co-workers to prevent accidental injury to those assisting, spreading and troweling the concrete.

PH: (800) 747-2132
FX: (815) 824-2620

100 East Lee Road
Lee, IL 60530
United States of America

www.ffcattachments.com
Concrete Chuter 0807-1

