



# Box Scraper

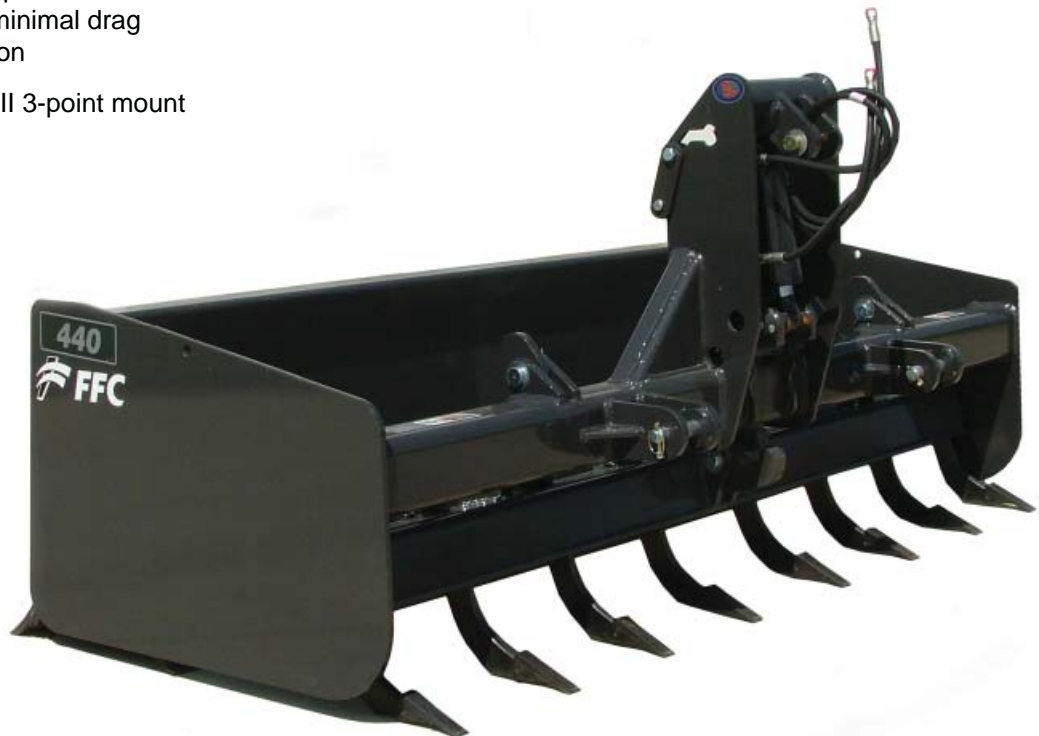
For Compact Utility Tractors & Small Wheel Loaders



PALADIN LIGHT CONSTRUCTION

## FEATURES:

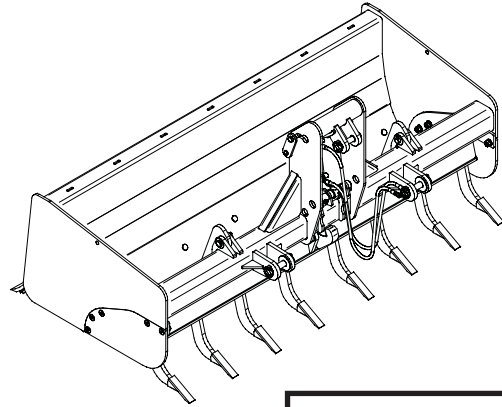
- For fine grading and heavy-duty landscaping jobs; backfills, grades, excavates, rips and scarifies
- Hydraulically actuated scarifier increases ripping penetration
- High-profile moldboard provides increased carrying capacity with minimal drag and greater boiling action
- Designed for Category II 3-point mount



# Box Scraper

## FEATURES:

- Double wall moldboard with heavy-duty side plates prevents frame twisting
- Fits two or four wheel drive machines
- Choice of standard or heavy-duty bolt-on reversible edges
- Available with replaceable end plates
- 1 year warranty on structure  
6 month warranty on hydraulics



**Hoses not included  
with FFC Box Scrapers**

Model #	Application	Overall Width	Cutting Width	Height	Depth	Capacity	Weight (approx.)
LAF3884	240 - 2WD	85"	84"	39 5/8"	45 1/2"	1.38 yd <sup>3</sup>	1,420 lbs
LAF3889	440 - 4WD	85"	84"	39 5/8"	45 1/2"	1.38 yd <sup>3</sup>	1,529 lbs
LAF3888	240HD - 2WD	85"	84"	39 5/8"	45 1/2"	1.42 yd <sup>3</sup>	1,476 lbs
LAF3885	440 HD - 4WD	85"	84"	39 5/8"	45 1/2"	1.42 yd <sup>3</sup>	1,676 lbs
LAF3892*	440HD - 4WD	85"	84"	39 5/8"	45 1/2"	1.42 yd <sup>3</sup>	1,676 lbs
LAF3866	440HD - 4WD	67"	66"	39 5/8"	45 1/2"	1.12 yd <sup>3</sup>	1,385 lbs
LAF3872	440HD - 4WD	73"	72"	39 5/8"	45 1/2"	1.22 yd <sup>3</sup>	1,460 lbs

\* - with replaceable end plates

### Carrier Specifications for LAF3884 & LAF3889:

lift capacities <10,000 lbs.  
operating weight <20,000 lbs.

### Carrier Specifications for all other models:

lift capacities <10,000 lbs.  
operating weight <32,000 lbs.

PH: (800) 747-2132  
FX: (815) 824-2620

100 East Lee Road  
Lee, IL 60530  
United States of America

[www.paladinbrands.com](http://www.paladinbrands.com)

F-Box Scraper 0609-1



PALADIN LIGHT CONSTRUCTION